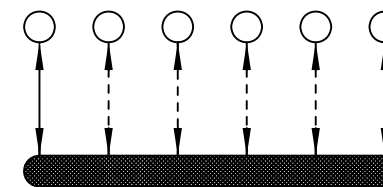
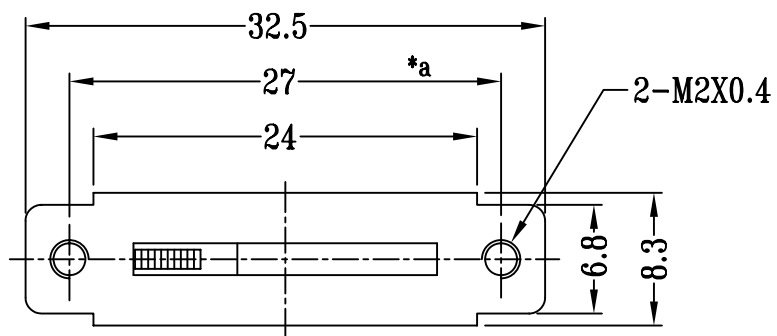
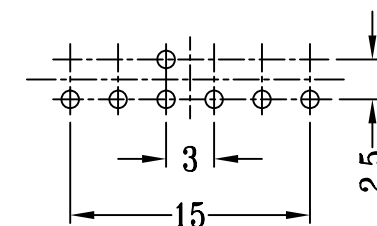
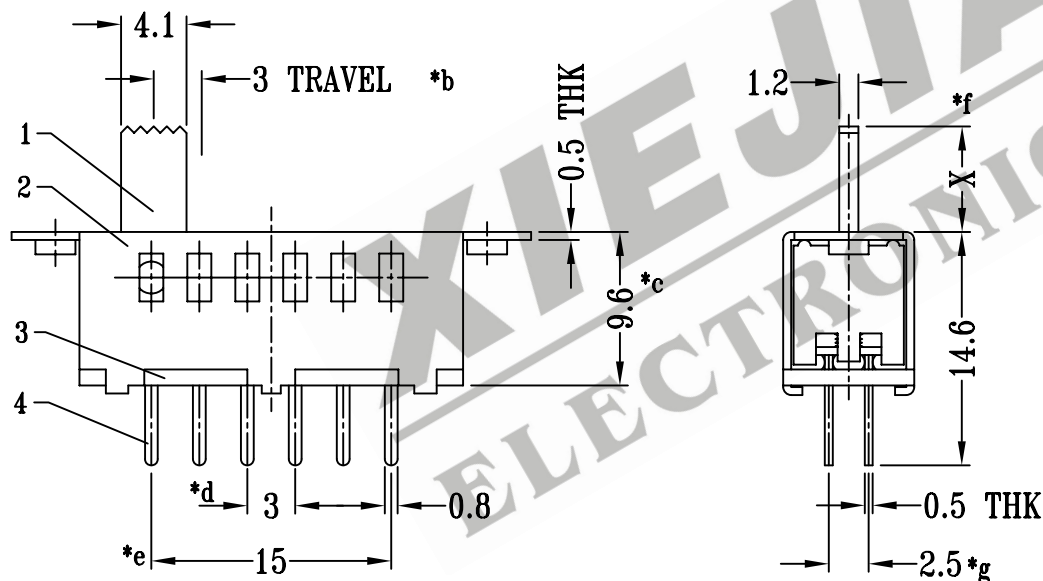


CAD FILE:



SCHEMATIC (SHORTING)



P.C.B LAYOUT

注:带"*"表示关键尺寸(7个)

NO.	PARTS	MATERIALS	Q'TY	FINISH	TOLERANCE UNLESS SPECIFIED	SHENZHEN XIEJIA ELECTRONICS CO.,LTD.			
8						TITLE : VERTICAL SLIDE SWITCH			
7	STEEL BALL	STELL STRIP	2	NATURAL					
6	SPRING	STEEL WIRE	2	TEMPER	WITHIN: 1.5±0.1mm OVER : 1.5±0.2mm	SCALE: 2:1	DWN.	ZHOUYU	2003-9-30
5	CONTACT CLIP	BRASS STRIP	1	Ag PLATED		ISSUE	DATE	DESCRIPTIONS OF REVISION	
4	TERMINAL	BRASS STRIP	7	Ag PLATED OVER Ni PLATED				APPD.	
3	TERMINAL BASE	PHENOLIC RESIN	1	NATURAL		MODEL: SS-16F05			
2	FRAME	STEEL STRIP	1	BLACK		ALL MATERIALS MUST BE COMPLIANT TO ROHS			
1	KNOB	POM	1	BLACK		CHK'D	FANGYING	2003-9-30	
						APPD.	KANGXINAN	2003-9-30	